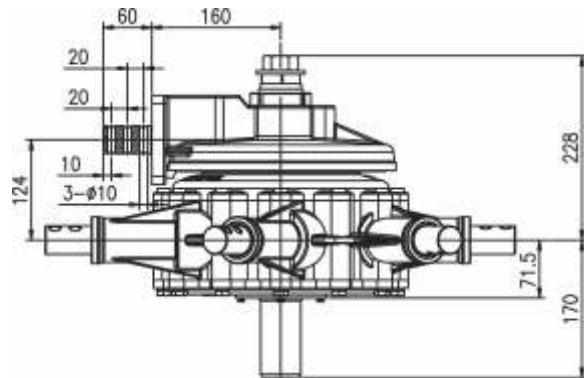
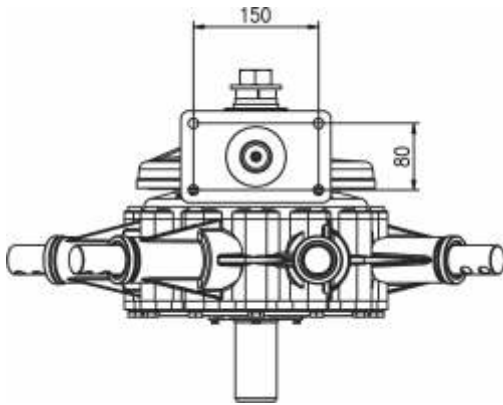


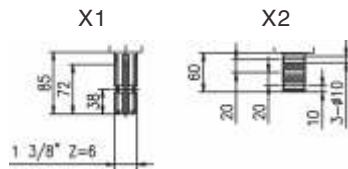
S-60



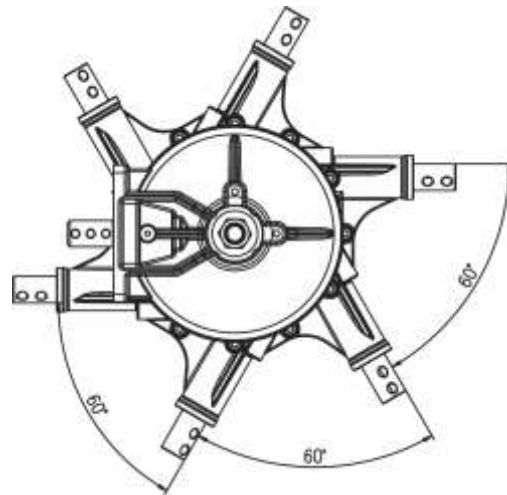
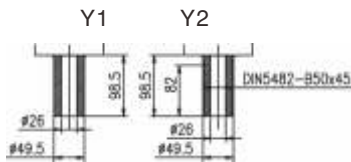
尺寸/Dimensions



输入轴/Input



中间轴/Center



技术参数/Technical Data

i	Input/Output		Torque			Material	Toothing	KG	LT	Module	Rotation
	rpm input	rpm output	Nm (nom)	Nm (max)	Kw (HP)						
5.2:1	540	104	-	-	-	球铁 Ductile Iron GS400	直伞齿 Straight bevel gear	67	2.8	5	K